



GREASE AND OIL ELECTRIC PUMPS
ILC-MAX





HOW TO ORDER

40.2.24AC.FST.G

<p>RESERVOIR 2 = 2 Kg transparent 4 = 4 Kg transparent 8 = 8 Kg transparent 5 = 5 Kg metallic</p>	
<p>TENSION 12DC = 12 V DC 24DC = 24 V DC 24AC = 24 V AC 115V = 115 V AC 230V = 230 V AC</p>	
<p>PUMPING ELEMENT F = fixed discharge R = adjustable discharge</p>	
<p>TIMER CT = with timer ST = without timer</p>	
<p>LUBRICANT G = grease consistency 1 and 2 O = oil consistency 50-1500 cSt S = soft grease consistency 0,00 and 000</p>	

All the pumps are equipped with **lubricant low level switch** and grease pumps (not oil ones) with 2, 4 and 8 kg reservoir are equipped with **electrical control of motor rotation**.

Models with timer are equipped with 7-poles TYCO connector and 4-poles M12x1 one; **models without timer** are equipped with only 7-poles TYCO connector.

PUMP MOUNTING

Pumps must be secured in a vertical position by two bolts, nuts and washers through integrated mounting bracket of pump body

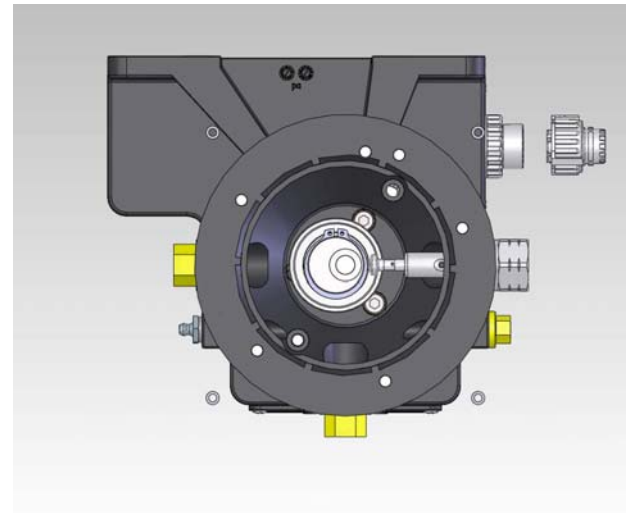
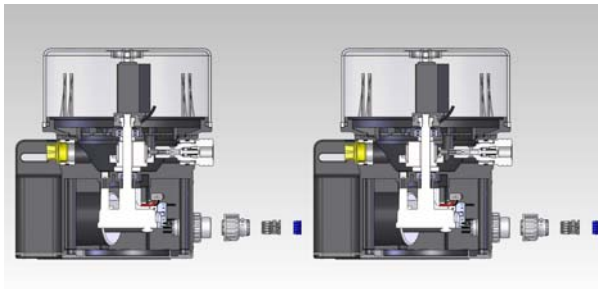


*ELECTRIC PUMPS
GREASE (ILC-MAX-G)
OR OIL (ILC-MAX-O)*

APPLICATIONS

Ideally suitable for the automatic grease lubrication of all types of industrial machines and as a chassis lubrication pump for trucks, trailers, buses, construction and mechanical handling vehicles.

In conjunction with ILC DPA, DPM or DPX progressive dividers, more than three hundred greasing points can be automatically centralized from just a single grease pump.



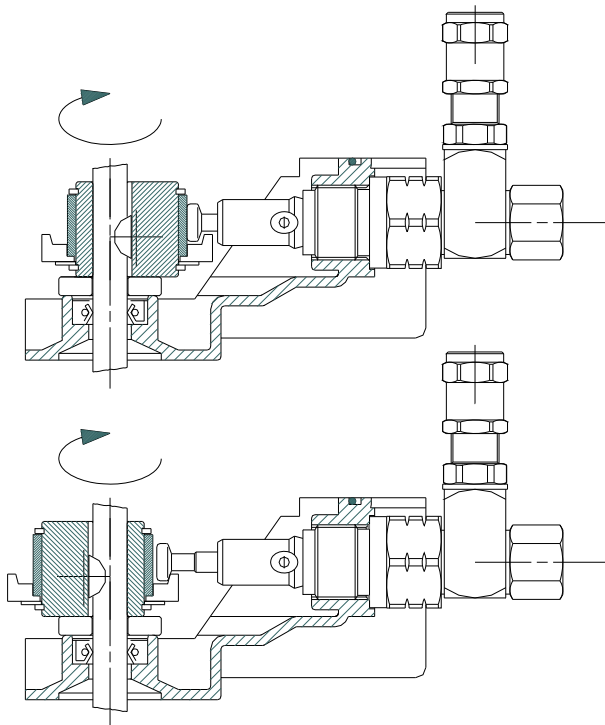
OPERATION

The pumps are designed for intermittent or continuous operation to provide regular pre-programmed lubrication cycles as required for the various applications.

A direct-mounted electric geared motor drives an internal rotating cam, which can actuate up to three externally mounted pump elements.

Every pumping element has a relief valve to protect the system against over-pressure.

To have a bigger discharge it is possible to collect the three outlets from the pumping elements together in a single tube.

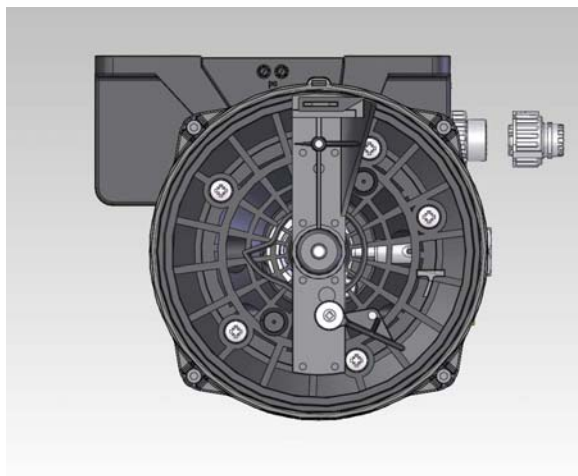
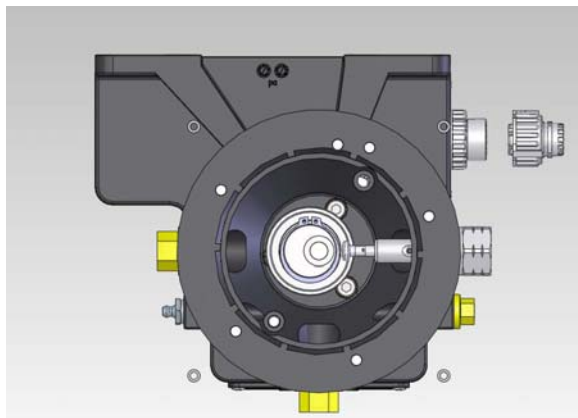
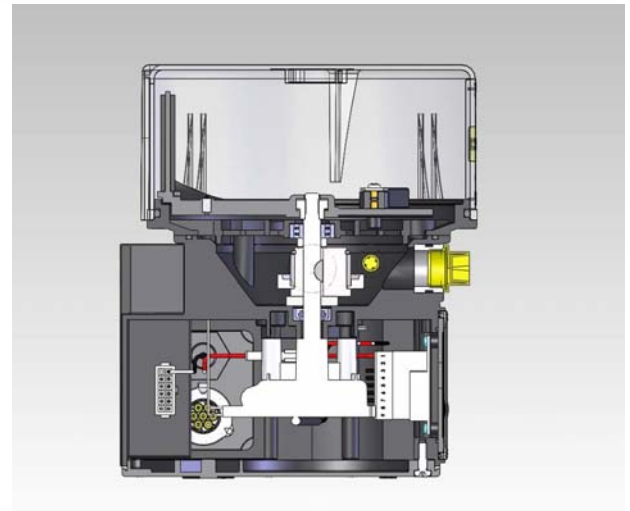


*ELECTRIC PUMPS
GREASE (ILC-MAX-G)
OR OIL (ILC-MAX-O)*

The transparent reservoir has 2 KG, 4 KG or 8 KG capacity and metallic reservoir has 5 KG.

The pumps can attain a maximum recommended operating pressure of 250 bar per outlet and will deliver up to 2.88 cc/minute per outlet.

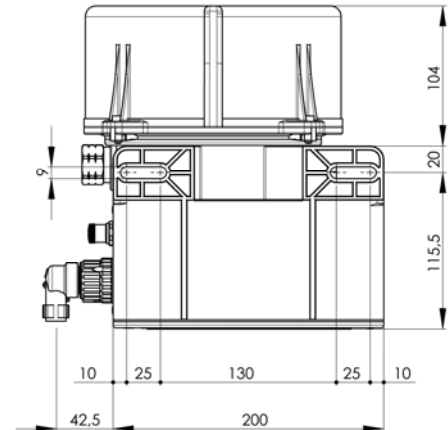
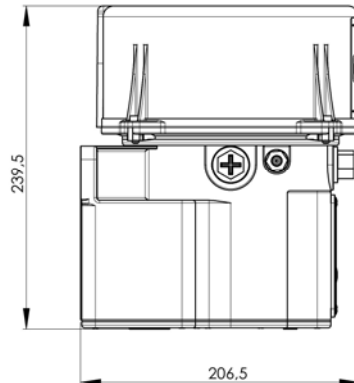
The internal drive shaft is coupled to a specially formed stirring paddle in the reservoir of the pump unit which ensures continuous priming of the pump element inlets, even with grease up to NLGI No. 2 consistency at ambient temperature down to -20 °C



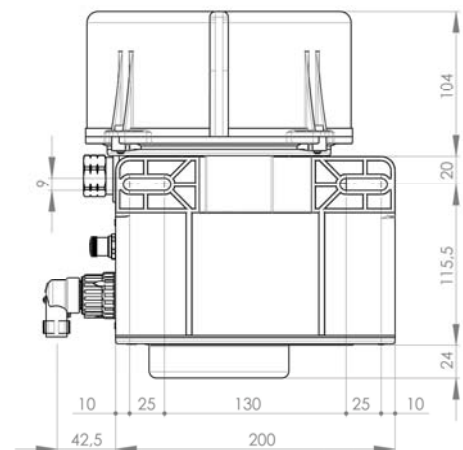
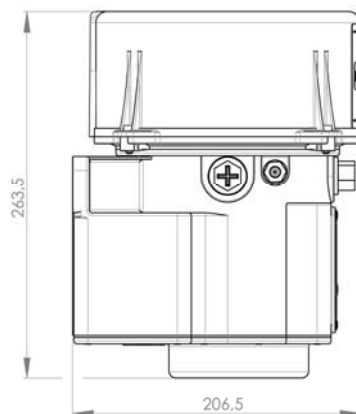
The gear motor is protected by means of an IP-56 protection degree covering (NYLON PA6 +30% FIBERGLASS). The seal is guaranteed from well-mounted "o"-ring.

The pumps can have an integrated electronic control timer built into the covering. The timer can be pre-programmed to automatically operate the pump with variable "working time" and "pause times".

GREASE ELECTRIC PUMP ILC-MAX-G 2 (12/24 V DC – 24 V AC)



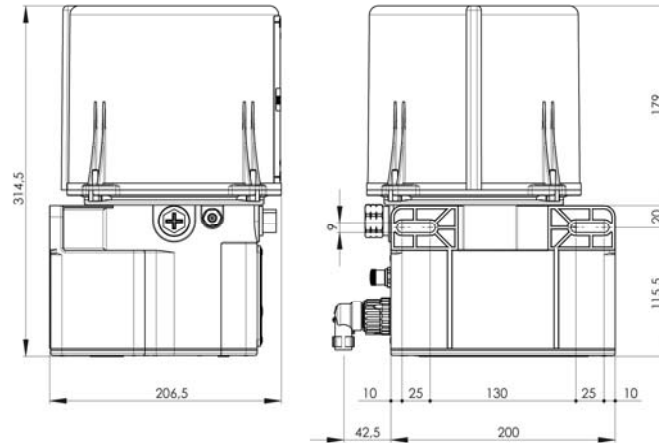
GREASE ELECTRIC PUMP ILC-MAX-G 2 (115/230 V AC)



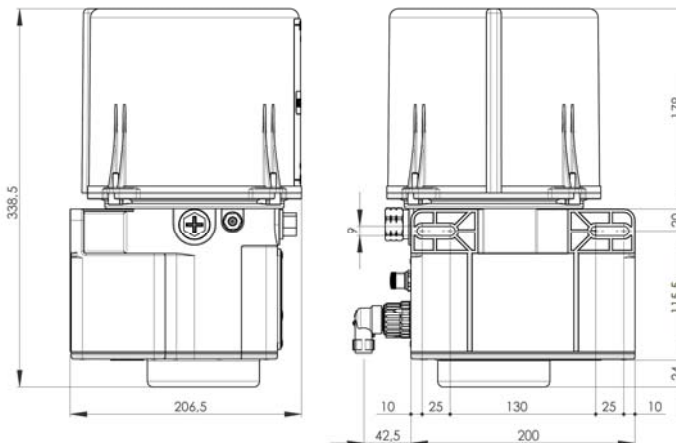
TECHNICAL DATA

NUMBER OF OUTLETS	FROM 1 TO 3
DISCHARGE/ROPE WITH FIXED PUMPING ELEMENT	0.16 CC
DISCHARGE/ROPE WITH ADJUSTABLE PUMPING ELEMENT	0.01 – 0.16 CC
RPM	23 rpm (12 V DC) - 22 rpm (24 V DC) - 29 rpm (230 V AC) - 31 rpm (115 V AC)
DISCHARGE/MIN WITH FIXED PUMPING ELEMENT	3,68 cm ³ (12 V DC) / 3,52 cm ³ (24 V DC) / 4,64 cm ³ (230 V AC) / 4,96 cm ³ (115 V AC)
DISCHARGE/MIN WITH ADJUSTABLE PUMPING ELEMENT	0,23 – 3,68 cm ³ (12 V DC) / 0,22 – 3,52 cm ³ (24 V DC) / 0,29 – 4,64 cm ³ (230 V AC) / 0,31 – 4,96 cm ³ (115 V AC)
SUITABLE LUBRICANTS	GREASE NLGI 1 and 2 CONSISTENCY
MAX. COUNTERPRESSURE	275 BAR (3993 PSI) ±10%
RESERVOIR CAPACITY	2 KG - PLASTIC
TEMPERATURE	FROM - 20 °C TO + 80 °C
OUTLET CONNECTION	1 / 4" G
LOW LEVEL SWITCH	1 A 140 V AC – 200 V DC 10 W NO
RPM CONTROL	A pulse from open to close is created at every revolution when reservoir is empty 1 A 140 V AC – 200 V DC 10 W NO – Contact closes at every rotation

GREASE ELECTRIC PUMP ILC-MAX-G 4 (12/24 V DC – 24 V AC)



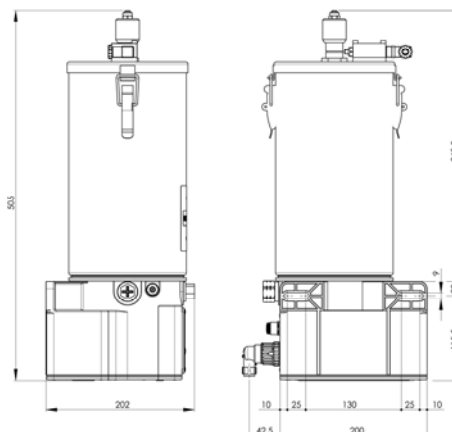
GREASE ELECTRIC PUMP ILC-MAX-G 4 (115/230 V AC)



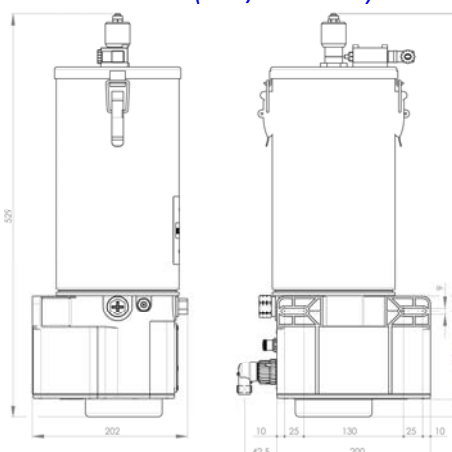
TECHNICAL DATA

NUMBER OF OUTLETS	FROM 1 TO 3
DISCHARGE/ROPE WITH FIXED PUMPING ELEMENT	0.16 CC
DISCHARGE/ROPE WITH ADJUSTABLE PUMPING ELEMENT	0.01 – 0.16 CC
RPM	23 rpm (12 V DC) - 22 rpm (24 V DC) - 29 rpm (230 V AC) - 31 rpm (115 V AC)
DISCHARGE/MIN WITH FIXED PUMPING ELEMENT	3,68 cm ³ (12 V DC) / 3,52 cm ³ (24 V DC) / 4,64 cm ³ (230 V AC) / 4,96 cm ³ (115 V AC)
DISCHARGE/MIN WITH ADJUSTABLE PUMPING ELEMENT	0,23 – 3,68 cm ³ (12 V DC) / 0,22 – 3,52 cm ³ (24 V DC) / 0,29 – 4,64 cm ³ (230 V AC) / 0,31 – 4,96 cm ³ (115 V AC)
SUITABLE LUBRICANTS	GREASE NLGI 1 and 2 CONSISTENCY
MAX. COUNTERPRESSURE	275 BAR (3993 PSI) ±10%
RESERVOIR CAPACITY	4 KG - PLASTIC
TEMPERATURE	FROM - 20 °C TO + 80 °C
OUTLET CONNECTION	1 / 4" G
LOW LEVEL SWITCH	1 A 140 V AC – 200 V DC 10 W NO
RPM CONTROL	A pulse from open to close is created at every revolution when reservoir is empty 1 A 140 V AC – 200 V DC 10 W NO – Contact closes at every rotation

GREASE ELECTRIC PUMP ILC-MAX-G 5 (12/24 V DC – 24 V AC)



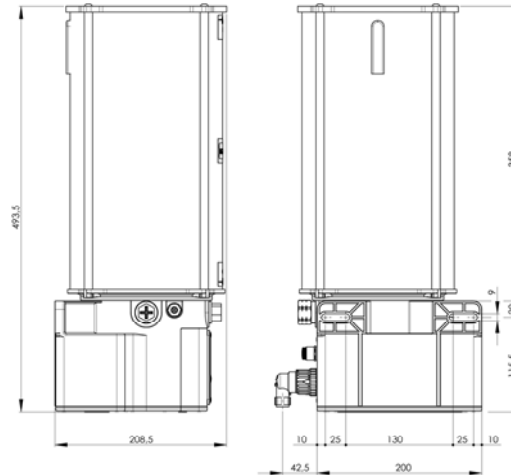
GREASE ELECTRIC PUMP ILC-MAX-G 5 (115/230 V AC)



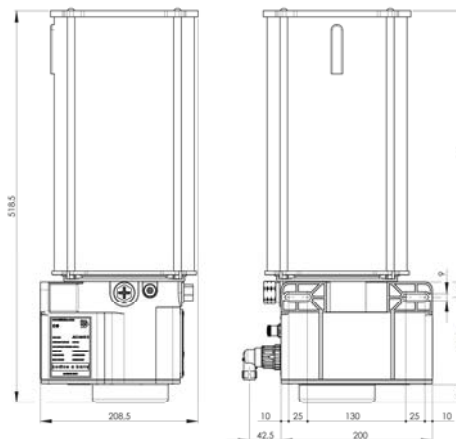
TECHNICAL DATA

NUMBER OF OUTLETS	FROM 1 TO 3
DISCHARGE/ROPE WITH FIXED PUMPING ELEMENT	0.16 CC
DISCHARGE/ROPE WITH ADJUSTABLE PUMPING ELEMENT	0.01 – 0.16 CC
RPM	23 rpm (12 V DC) - 22 rpm (24 V DC) - 29 rpm (230 V AC) - 31 rpm (115 V AC)
DISCHARGE/MIN WITH FIXED PUMPING ELEMENT	3,68 cm ³ (12 V DC) / 3,52 cm ³ (24 V DC) / 4,64 cm ³ (230 V AC) / 4,96 cm ³ (115 V AC)
DISCHARGE/MIN WITH ADJUSTABLE PUMPING ELEMENT	0,23 – 3,68 cm ³ (12 V DC) / 0,22 – 3,52 cm ³ (24 V DC) / 0,29 – 4,64 cm ³ (230 V AC) / 0,31 – 4,96 cm ³ (115 V AC)
SUITABLE LUBRICANTS	GREASE NLGI 1 and 2 CONSISTENCY
MAX. COUNTERPRESSURE	275 BAR (3993 PSI) ±10%
RESERVOIR CAPACITY	5 KG - METALLIC
TEMPERATURE	FROM - 20 °C TO + 80 °C
OUTLET CONNECTION	1 / 4" G
LOW LEVEL SWITCH	5A – 250 V AC / 0.4 A - 125 V DC – NC o NO contact

GREASE ELECTRIC PUMP ILC-MAX-G 8 (12/24 V DC – 24 V AC)



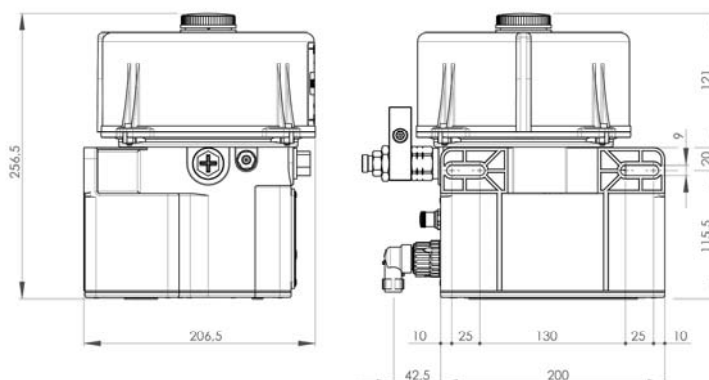
GREASE ELECTRIC PUMP ILC-MAX-G 8 (115/230 V AC)



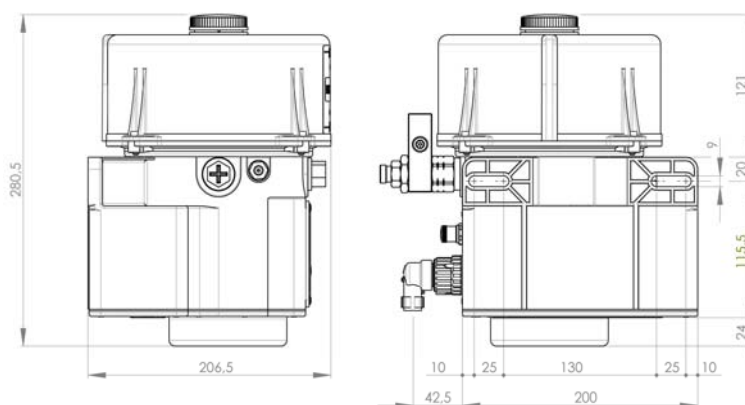
TECHNICAL DATA

NUMBER OF OUTLETS	<i>FROM ITO 3</i>
DISCHARGE/ROPE WITH FIXED PUMPING ELEMENT	<i>0.16 CC</i>
DISCHARGE/ROPE WITH ADJUSTABLE PUMPING ELEMENT	<i>0.01 – 0.16 CC</i>
RPM	<i>23 rpm (12 V DC) - 22 rpm (24 V DC) - 29 rpm (230 V AC) - 31 rpm (115 V AC)</i>
DISCHARGE/MIN WITH FIXED PUMPING ELEMENT	<i>3,68 cm³(12 V DC) / 3,52 cm³ (24 V DC) / 4,64 cm³ (230 V AC) / 4,96 cm³ (115 V AC)</i>
DISCHARGE/MIN WITH ADJUSTABLE PUMPING ELEMENT	<i>0,23 – 3,68 cm³(12 V DC) / 0,22 – 3,52 cm³ (24 V DC) / 0,29 – 4,64 cm³ (230 V AC) / 0,31 – 4,96 cm³ (115 V AC)</i>
SUITABLE LUBRICANTS	<i>GREASE NLGI 1 and 2 CONSISTENCY</i>
MAX. COUNTERPRESSURE	<i>275 BAR (3993 PSI) ±10%</i>
RESERVOIR CAPACITY	<i>8 KG - PLASTIC</i>
TEMPERATURE	<i>FROM - 20 °C TO + 80 °C</i>
OUTLET CONNECTION	<i>1 / 4" G</i>
LOW LEVEL SWITCH	<i>1 A 140 V AC – 200 V DC 10 W NO A pulse from open to close is created at every revolution when reservoir is empty</i>
RPM CONTROL	<i>1 A 140 V AC – 200 V DC 10 W NO – Contact closes at every rotation</i>

OIL ELECTRIC PUMP ILC-MAX-O 2 (12/24 V DC – 24 V AC)



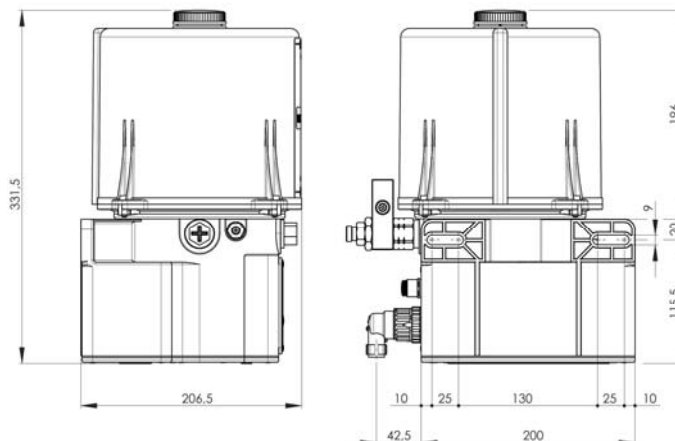
OIL ELECTRIC PUMP ILC-MAX-O 2 (115/230 V AC)



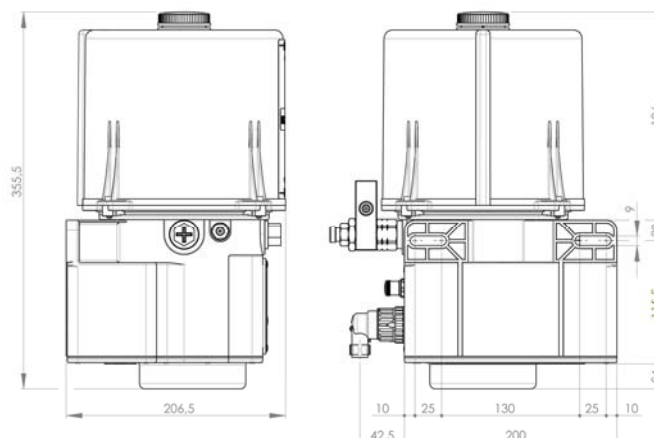
TECHNICAL DATA

NUMBER OF OUTLETS	FROM ITO 3
DISCHARGE/ROPE WITH FIXED PUMPING ELEMENT	0.16 CC
DISCHARGE/ROPE WITH ADJUSTABLE PUMPING ELEMENT	0.01 – 0.16 CC
RPM	23 rpm (12 V DC) - 22 rpm (24 V DC) - 29 rpm (230 V AC) - 31 rpm (115 V AC)
DISCHARGE/MIN WITH FIXED PUMPING ELEMENT	3,68 cm ³ (12 V DC) / 3,52 cm ³ (24 V DC) / 4,64 cm ³ (230 V AC) / 4,96 cm ³ (115 V AC)
DISCHARGE/MIN WITH ADJUSTABLE PUMPING ELEMENT	0,23 – 3,68 cm ³ (12 V DC) / 0,22 – 3,52 cm ³ (24 V DC) / 0,29 – 4,64 cm ³ (230 V AC) / 0,31 – 4,96 cm ³ (115 V AC)
SUITABLE LUBRICANTS	MINERAL OILS 50-1500 cSt
MAX. COUNTERPRESSURE	275 BAR (3993 PSI) ±10%
RESERVOIR CAPACITY	2 L - PLASTIC
TEMPERATURE	FROM - 20 °C TO + 80 °C
OUTLET CONNECTION	1 / 4" G
LOW LEVEL SWITCH	1 A 140 V AC – 200 V DC 10 W NO - Contact opens when reservoir is empty

OIL ELECTRIC PUMP ILC-MAX-O 4 (12/24 V DC – 24 V AC)



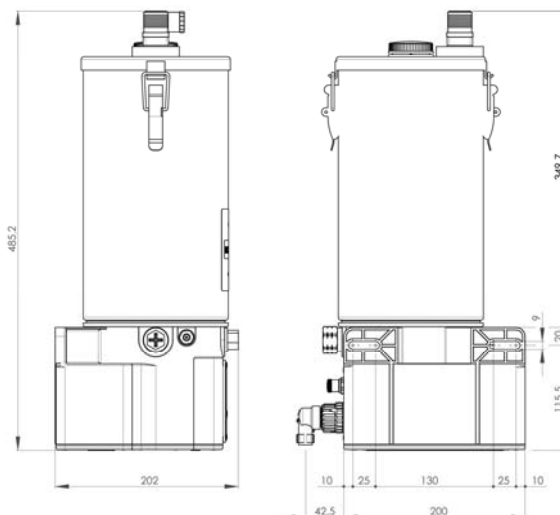
OIL ELECTRIC PUMP ILC-MAX-O 4 (115/230 V AC)



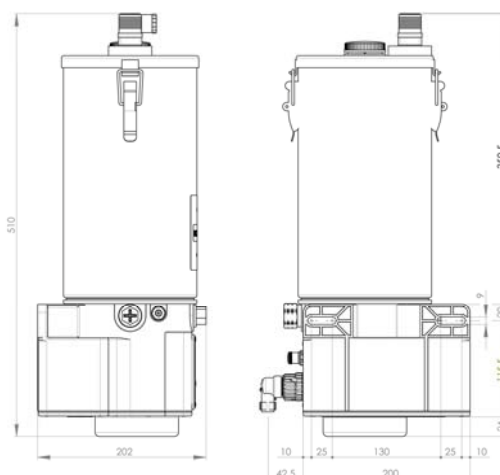
TECHNICAL DATA

NUMBER OF OUTLETS	FROM 1 TO 3
DISCHARGE/ROPE WITH FIXED PUMPING ELEMENT	0.16 CC
DISCHARGE/ROPE WITH ADJUSTABLE PUMPING ELEMENT	0.01 – 0.16 CC
RPM	23 rpm (12 V DC) - 22 rpm (24 V DC) - 29 rpm (230 V AC) - 31 rpm (115 V AC)
DISCHARGE/MIN WITH FIXED PUMPING ELEMENT	3,68 cm ³ (12 V DC) / 3,52 cm ³ (24 V DC) / 4,64 cm ³ (230 V AC) / 4,96 cm ³ (115 V AC)
DISCHARGE/MIN WITH ADJUSTABLE PUMPING ELEMENT	0,23 – 3,68 cm ³ (12 V DC) / 0,22 – 3,52 cm ³ (24 V DC) / 0,29 – 4,64 cm ³ (230 V AC) / 0,31 – 4,96 cm ³ (115 V AC)
SUITABLE LUBRICANTS	MINERAL OILS 50-1500 cSt
MAX. COUNTERPRESSURE	275 BAR (3993 PSI) ±10%
RESERVOIR CAPACITY	4 L - PLASTIC
TEMPERATURE	FROM - 20 °C TO + 80 °C
OUTLET CONNECTION	1 / 4" G
LOW LEVEL SWITCH	1 A 140 V AC – 200 V DC 10 W NO - Contact opens when reservoir is empty

OIL ELECTRIC PUMP ILC-MAX-O 5 (12/24 V DC – 24 V AC)



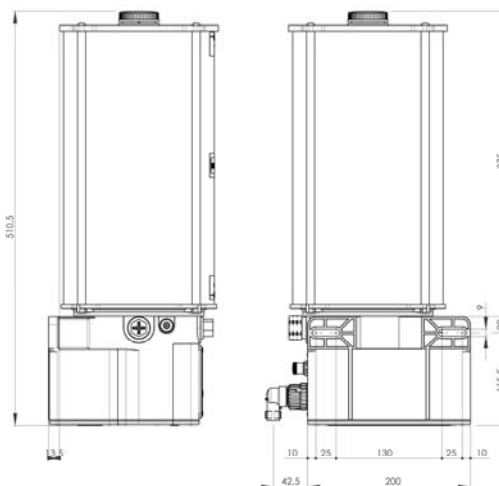
OIL ELECTRIC PUMP ILC-MAX-O 5 (115/230 V AC)



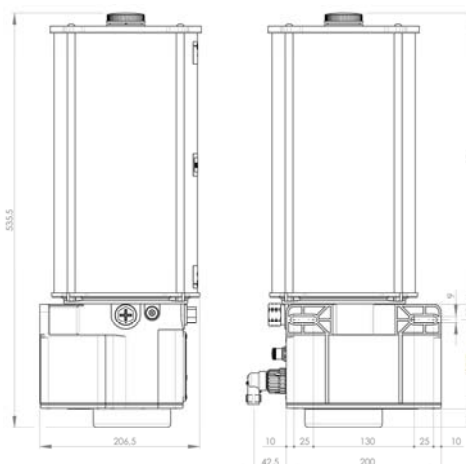
TECHNICAL DATA

NUMBER OF OUTLETS	FROM 1 TO 3
DISCHARGE/ROPE WITH FIXED PUMPING ELEMENT	0.16 CC
DISCHARGE/ROPE WITH ADJUSTABLE PUMPING ELEMENT	0.01 – 0.16 CC
RPM	23 rpm (12 V DC) - 22 rpm (24 V DC) - 29 rpm (230 V AC) - 31 rpm (115 V AC)
DISCHARGE/MIN WITH FIXED PUMPING ELEMENT	3,68 cm ³ (12 V DC) / 3,52 cm ³ (24 V DC) / 4,64 cm ³ (230 V AC) / 4,96 cm ³ (115 V AC)
DISCHARGE/MIN WITH ADJUSTABLE PUMPING ELEMENT	0,23 – 3,68 cm ³ (12 V DC) / 0,22 – 3,52 cm ³ (24 V DC) / 0,29 – 4,64 cm ³ (230 V AC) / 0,31 – 4,96 cm ³ (115 V AC)
SUITABLE LUBRICANTS	MINERAL OILS 50-1500 cSt
MAX. COUNTERPRESSURE	275 BAR (3993 PSI) ±10%
RESERVOIR CAPACITY	5 L - METALLIC
TEMPERATURE	FROM - 20 °C TO + 80 °C
OUTLET CONNECTION	1 / 4" G
LOW LEVEL SWITCH	1.5 A 250 V AC – 200 V DC 50 W – NC o NO contact

OIL ELECTRIC PUMP ILC-MAX-O 8 (12/24 V DC – 24 V AC)



OIL ELECTRIC PUMP ILC-MAX-O 8 (115/230 V AC)



TECHNICAL DATA

NUMBER OF OUTLETS	FROM 1 TO 3
DISCHARGE/ROPE WITH FIXED PUMPING ELEMENT	0.16 CC
DISCHARGE/ROPE WITH ADJUSTABLE PUMPING ELEMENT	0.01 – 0.16 CC
RPM	23 rpm (12 V DC) - 22 rpm (24 V DC) - 29 rpm (230 V AC) - 31 rpm (115 V AC)
DISCHARGE/MIN WITH FIXED PUMPING ELEMENT	3,68 cm³(12 V DC) / 3,52 cm³ (24 V DC) / 4,64 cm³ (230 V AC) / 4,96 cm³ (115 V AC)
DISCHARGE/MIN WITH ADJUSTABLE PUMPING ELEMENT	0,23 – 3,68 cm³(12 V DC) / 0,22 – 3,52 cm³ (24 V DC) / 0,29 – 4,64 cm³ (230 V AC) / 0,31 – 4,96 cm³ (115 V AC)
SUITABLE LUBRICANTS	MINERAL OILS 50-1500 cSt
MAX. COUNTERPRESSURE	275 BAR (3993 PSI) ±10%
RESERVOIR CAPACITY	8 L - PLASTIC
TEMPERATURE	FROM - 20 °C TO + 80 °C
OUTLET CONNECTION	1 / 4" G
LOW LEVEL SWITCH	1 A 140 V AC – 200 V DC 10 W NO - Contact opens when reservoir is empty

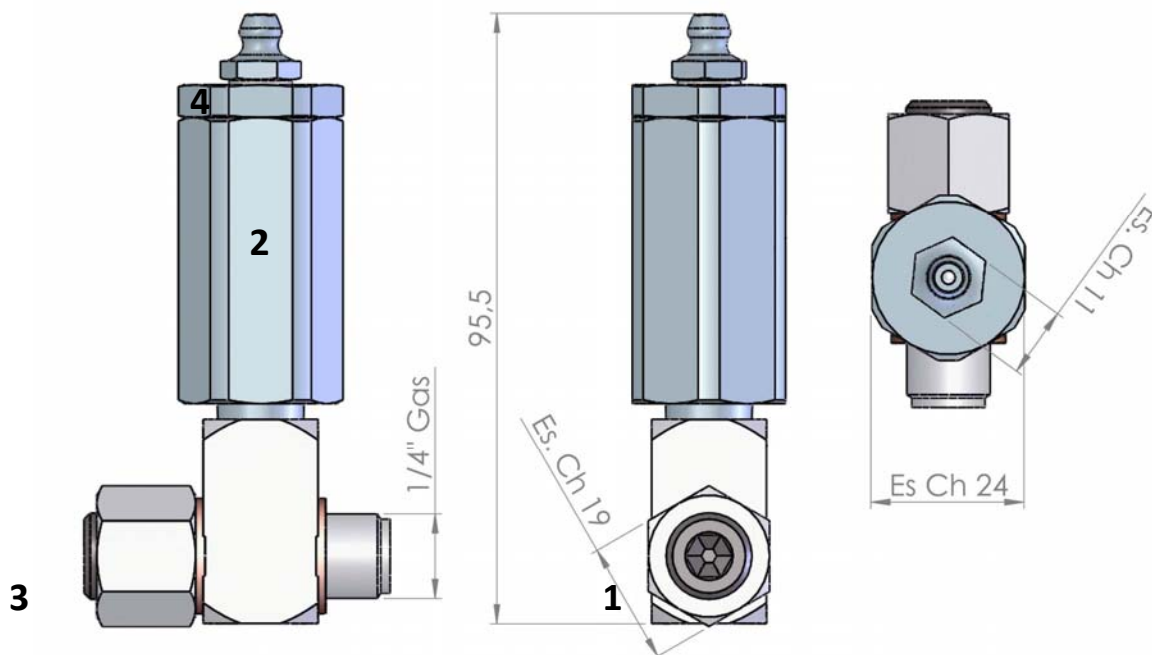
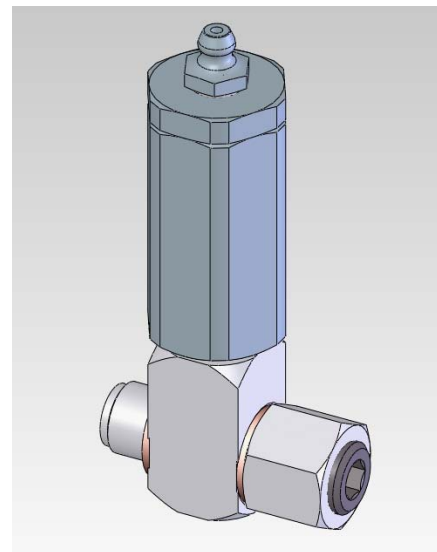
ACCESSORIES

REFILL GRASE STRAINER

A70.093526

*It is possible to install a strainer (300 micron) to prevent impurities during the refilling operation.
This strainer can be installed instead of the grease nipple supplied on the pump base.*

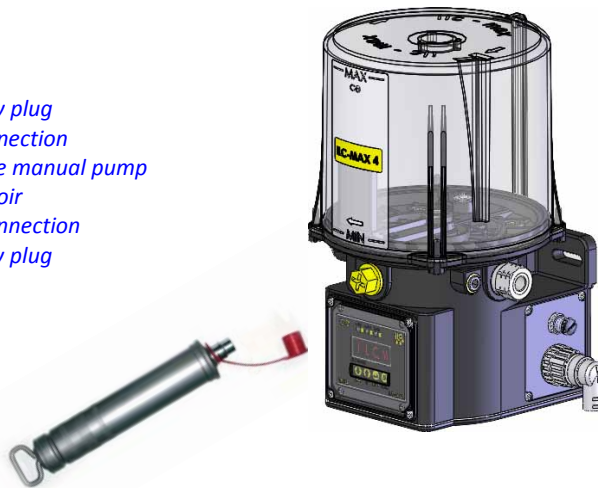
	DESCRIPTION	CODE
1	Banjo connectors	A70.093186
2	Filler strainer set	07.270.0
3	Plug 1/4" Gas	A92.087057
4	Grease nipple 1/8" Gas	A70.078422



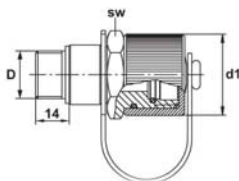
ACCESSORIES

**PUMP MANUAL AND ADAPTOR TO FILL
ILC-MAX PUMPS**

- Unscrew yellow plug*
- Install filling connection*
- Insert cartridge inside the manual pump*
- Refill reservoir*
- Unscrew filling connection*
- Reinstall yellow plug*

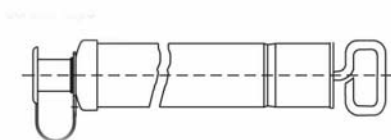


FILLING CONNECTION



<i>CODE</i>	<i>D</i>	<i>SW</i>
<i>ZZZ100-208</i>	<i>M22X1.5</i>	<i>32</i>

FILLING PUMP

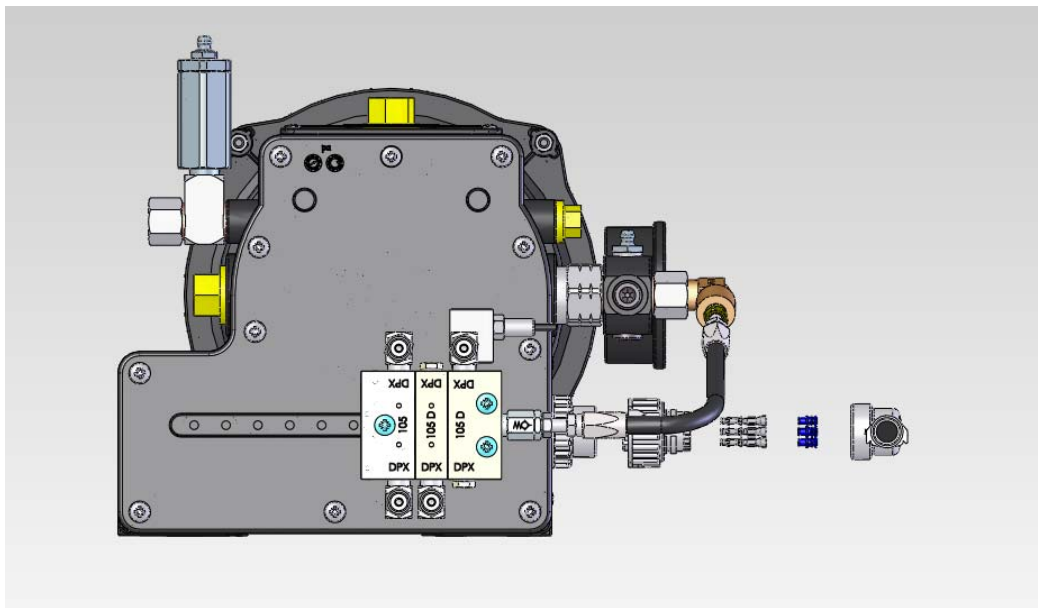


<i>CODE TO ORDER</i>	<i>ZZZ100-201</i>
----------------------	-------------------

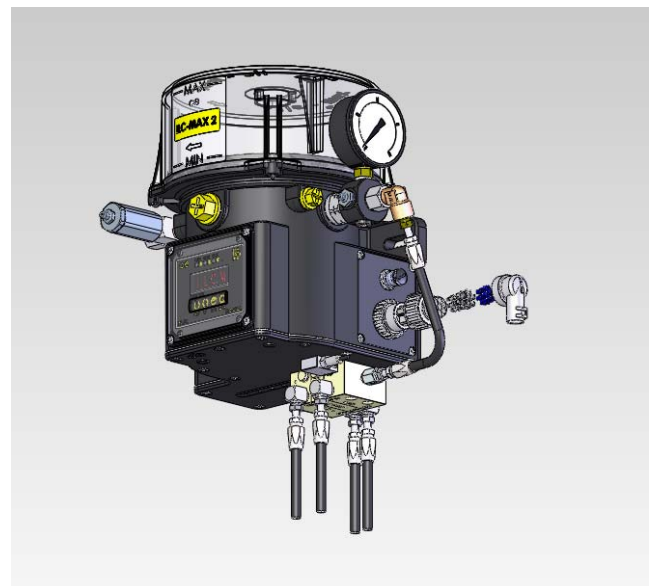
ACCESSORIES

DPX ASSEMBLED ON PUMP

ILC-MAX is set up to be assembled with a DPX from 3 to 9 elements mounted directly under the pump base.



40.KRT.001
Kit to assemble ILC-MAX with DPX



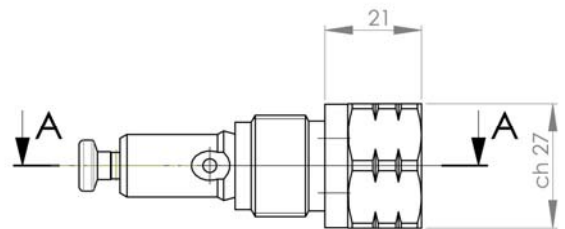
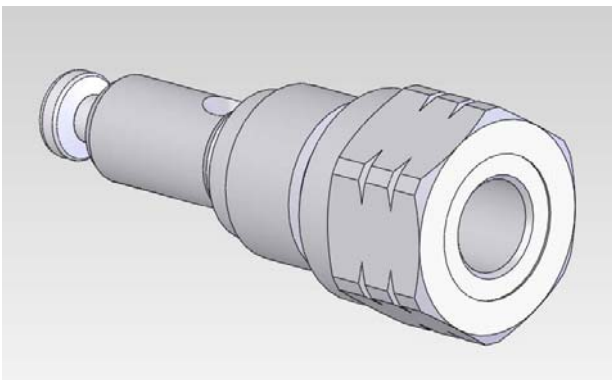
ACCESSORIES

FIXED PUMPING ELEMENT

90.900.0

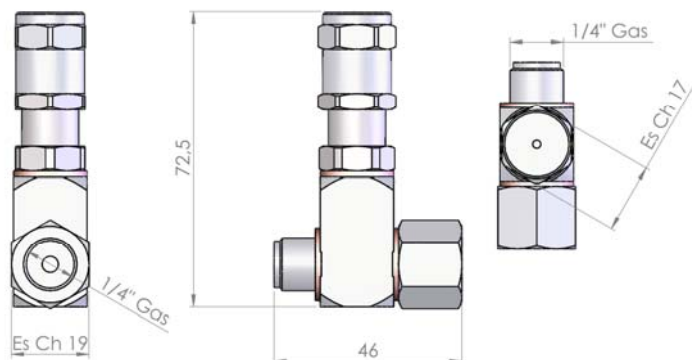


A70.093245



To add an **external safety valve** it is possible to order:

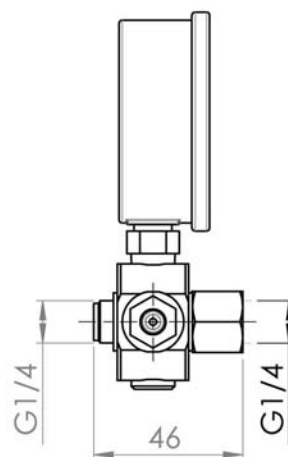
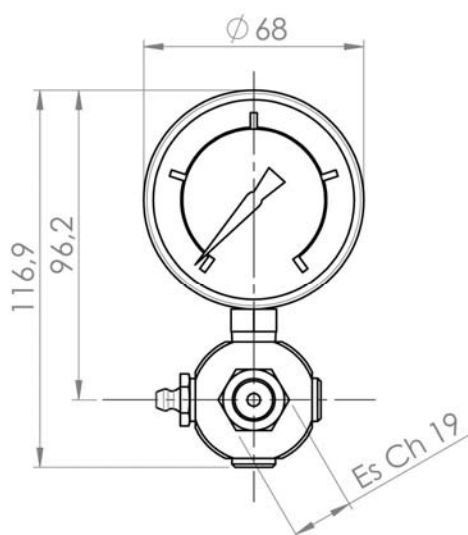
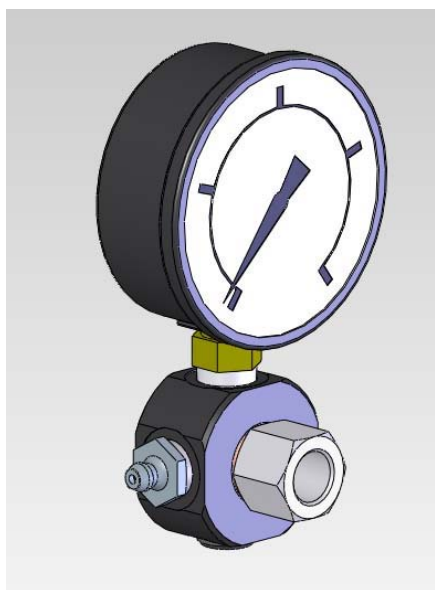
A70.093133



FIXED PUMPING ELEMENT ACCESSORIES

**BLOCK COMPLETE OF PRESSURE GAUGE AND
GREASE NIPPLE**
40.BMI.01

This block can be directly mounted in the delivery and permits to check operation pressure by mean of the pressure gauge and to fill the system through the grease nipple with a manual or pneumatic pump.



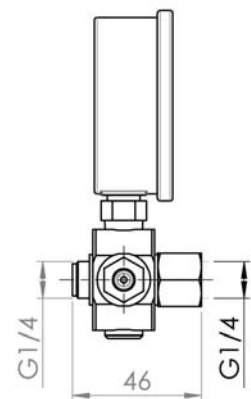
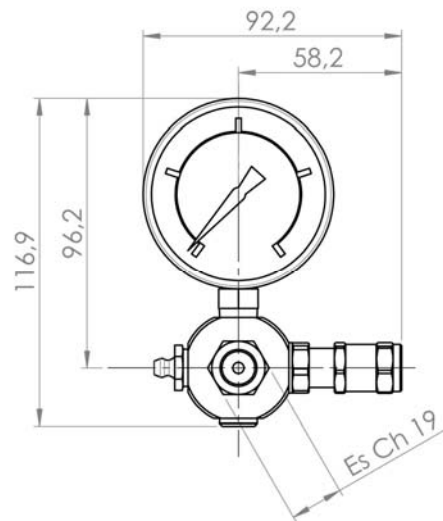
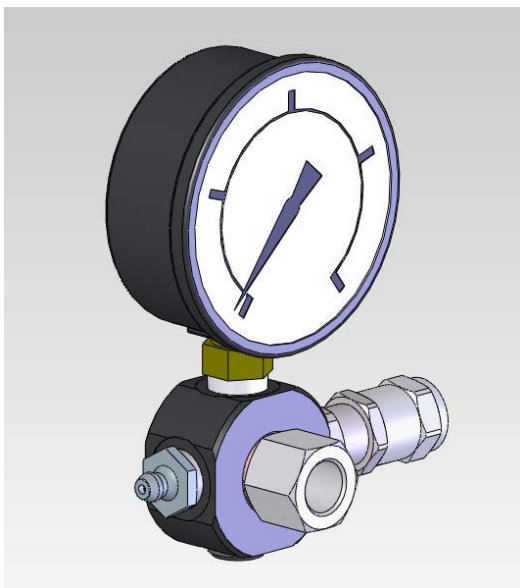
FIXED PUMPING ELEMENT ACCESSORIES

**BLOCK COMPLETE OF PRESSURE GAUGE WITH
SAFETY VALVE AND GREASE NIPPLE**

40.BMI.02

This block can be directly mounted in the delivery and permits to check operation pressure by mean of the pressure gauge and to fill the system through the grease nipple with a manual or pneumatic pump.

It is equipped with a safety valve which protects system from overpressures.



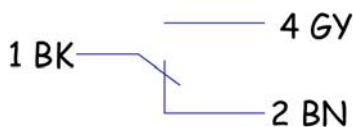
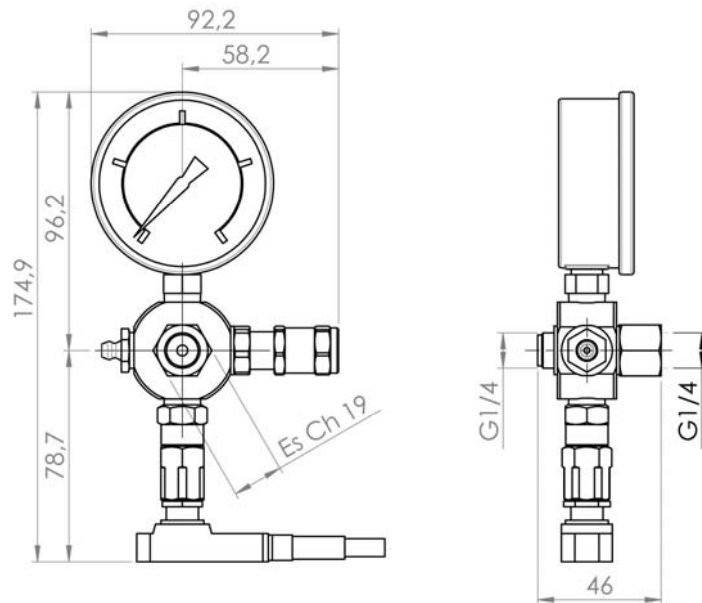
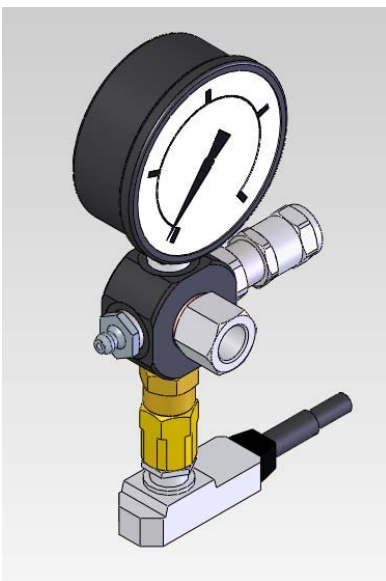
FIXED PUMPING ELEMENT ACCESSORIES

**BLOCK COMPLETE OF PRESSURE GAUGE,
ELECTROMECHANICAL SENSOR AND
GREASE NIPPLE**

40.BMI.03

This block can be directly mounted in the delivery and permits to check operation pressure by mean of the pressure gauge and to fill the system through the grease nipple with a manual or pneumatic pump.

It is equipped with a safety valve which protects system from overpressures and an electromechanical sensor to check if there's high pressure in the main line.



1 A 230 V AC – 250 V DC 40 W

Connessione consigliata
Recommended Connection

- 1- Marrone / Brown
- 2-
- 3-
- 4-Nero / Black



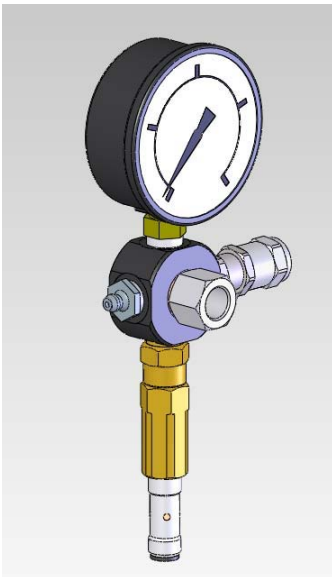
FIXED PUMPING ELEMENT ACCESSORIES

**BLOCK COMPLETE OF PRESSURE GAUGE,
INDUCTIVE SENSOR AND GREASE NIPPLE**

40.BMI.04

This block can be directly mounted in the delivery and permits to check operation pressure by mean of the pressure gauge and to fill the system through the grease nipple with a manual or pneumatic pump.

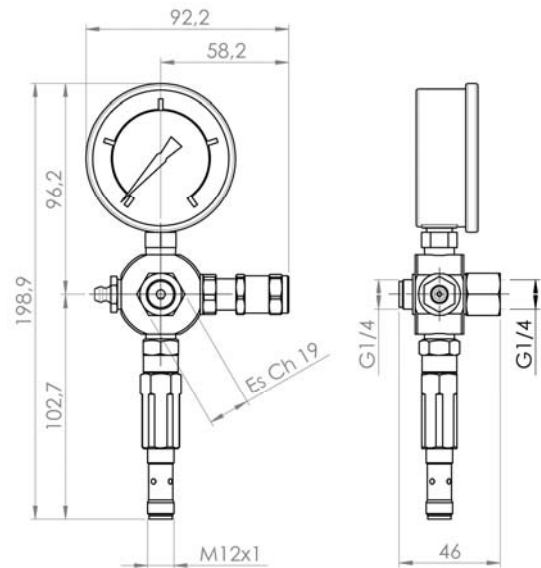
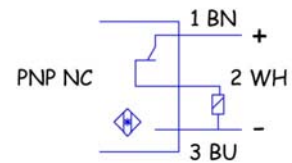
It is equipped with a safety valve which protects system from overpressures and an inductive sensor to check if there's high pressure in the main line.



FEATURES

VOLTAGE	6-30 V DC
OUTLET CURRENT	MAX 200 Ma
CURRENT	< 12 Ma
TEMPERATURE RANGE	- 25°C + 70°C
PROTECTION	IP 67
CASING	STAINLESS STEEL
CABLE	3x0.14 mm ² PVC

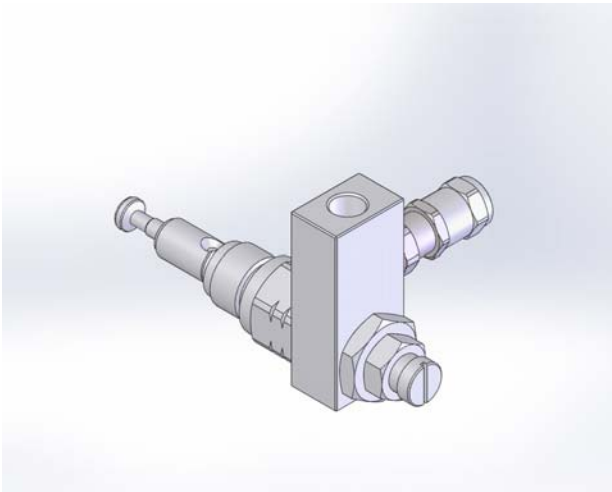
ELECTRICAL WIRING



ACCESSORIES

ADJUSTABLE PUMPING ELEMENT

90.900.3



Pumping element has 2 adjunctive 1/4" G outlets that can be used to mount following accessories:

Safety valve / A68.075011

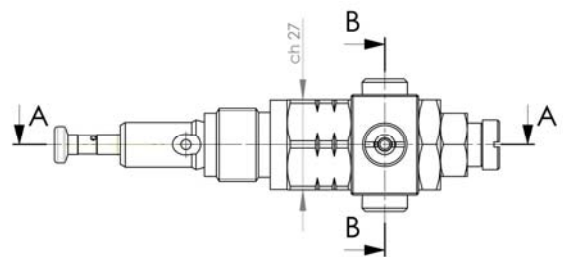
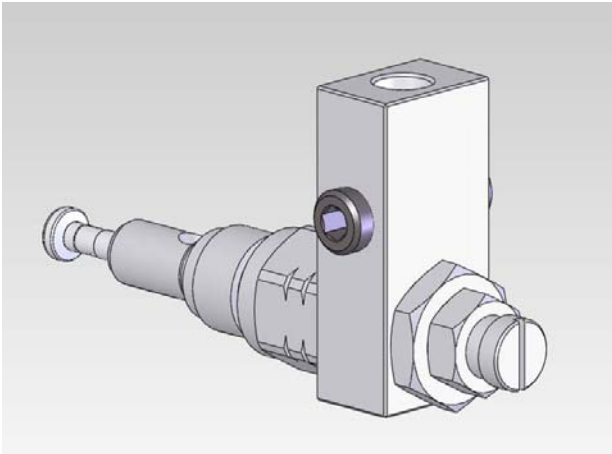
Pressure Gauge 0-400 / 46.600.0

Inductive sensor 250 Bar / 09.713.7

Electromechanical sensor 250 Bar / 09.713.7

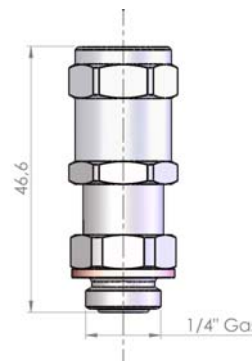
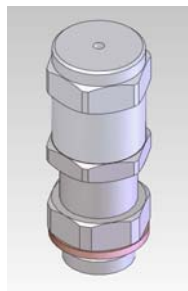
Grease nipple / 39.000.3

90.900.4



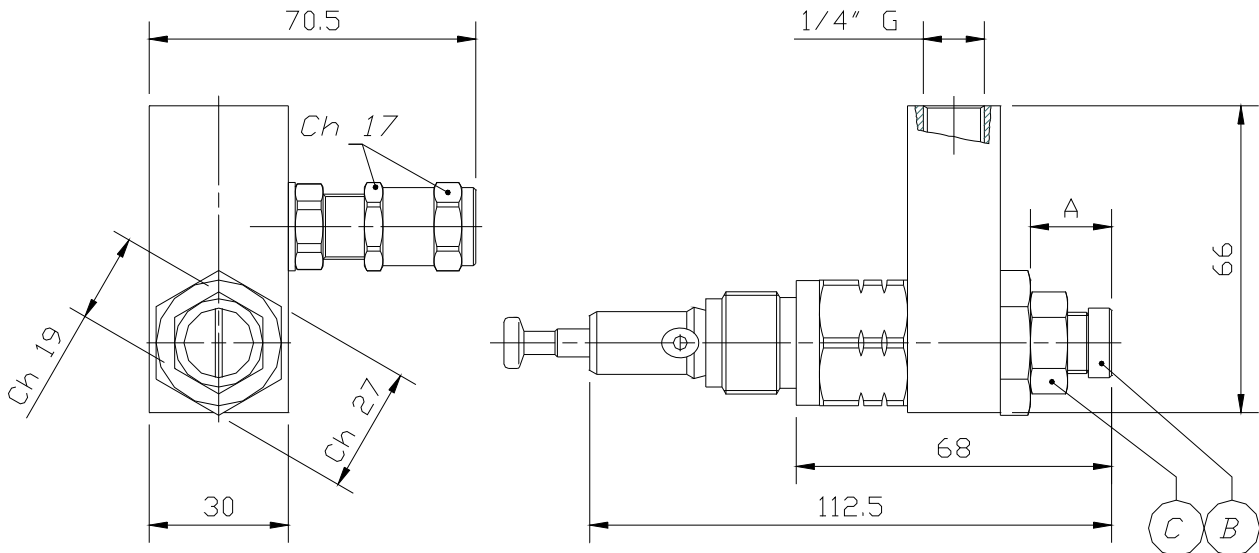
To add an **external safety valve** it is possible to order:

A68.075011



ACCESSORIES

PUMPING ELEMENT ADJUSTMENT



The nominal delivery rate of the pumping element can be adjusted by loosening the locking nut (pos. c) and rotating the adjustment screw (pos. b) clockwise to reduce delivery, or counter clockwise to increase delivery of the lubricant. The output adjustment table describes the equivalent outputs that can be obtained by varying the distance (a) of the adjustment screw (pos. b).

DISCHARGE ADJUSTMENT TABLE		
A	DISCHARGE/CYCLE	PERCENTAGE
23.6	0.16 CC	100 %
22.5	0.12 CC	75 %
21	0.08 CC	50 %
19.5	0.04 CC	25 %
18.5	0.01 CC	6 %
17.5	0.00 CC	0 %

IMPORTANT:

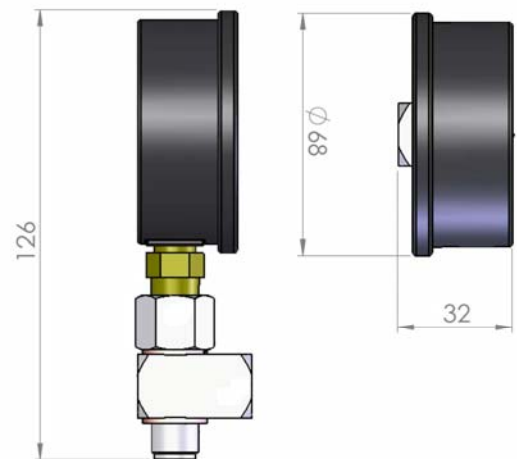
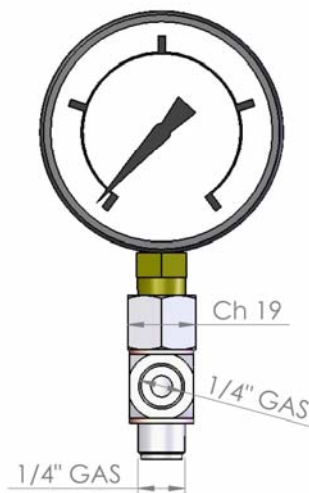
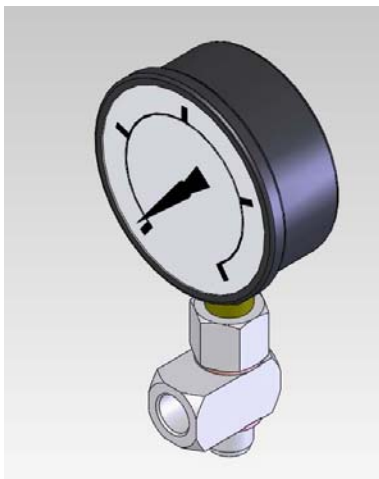
"A" HAVE NOT TO BE MORE THAT 23.6MM



ADJUSTABLE PUMPING ELEMENT ACCESSORIES

**TWO WAYS BANJO CONNECTOR
WITH PRESSURE GAUGE**
A70.093523

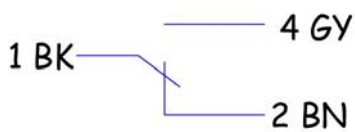
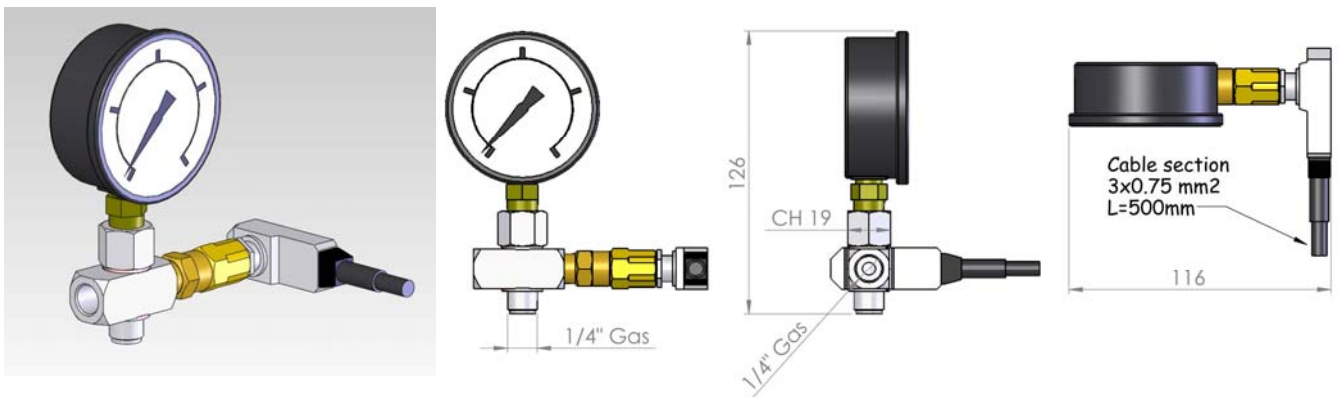
*This block can be directly mounted in the delivery
and permits to check operation pressure by mean
of pressure gauge.*



ADJUSTABLE PUMPING ELEMENT ACCESSORIES

**THREE WAYS BANJO CONNECTOR
WITH PRESSURE GAUGE
AND ELECTROMECHANICAL SENSOR
A70.093525**

This block can be directly mounted in the delivery and permits to check operation pressure by mean of pressure gauge and it is also equipped of an electromechanical sensor to check if there's high pressure in the main line.



1 A 230 V AC – 250 V DC 40 W

**Connessione consigliata
Recommended Connection**

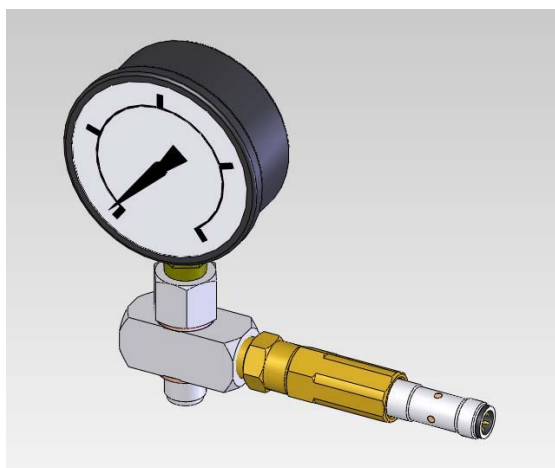
- 1- Marrone / Brown
- 2-
- 3-
- 4- Nero / Black



ADJUSTABLE PUMPING ELEMENT ACCESSORIES

**THREE WAYS BANJO CONNECTOR
WITH PRESSURE GAUGE
AND INDUCTIVE SENSOR
A70.093524**

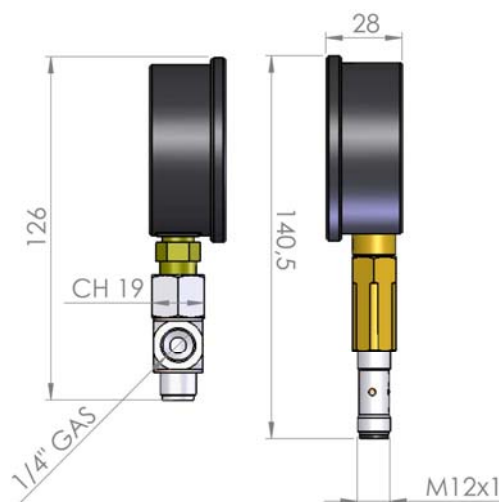
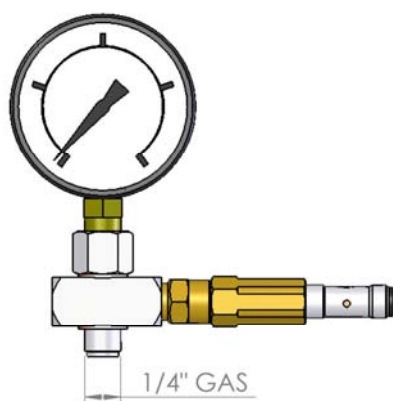
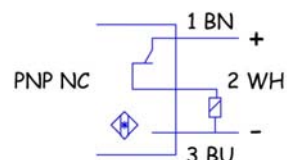
This block can be directly mounted in the delivery and permits to check operation pressure by mean of pressure gauge and it is also equipped of an inductive sensor to check if there's high pressure in the main line.



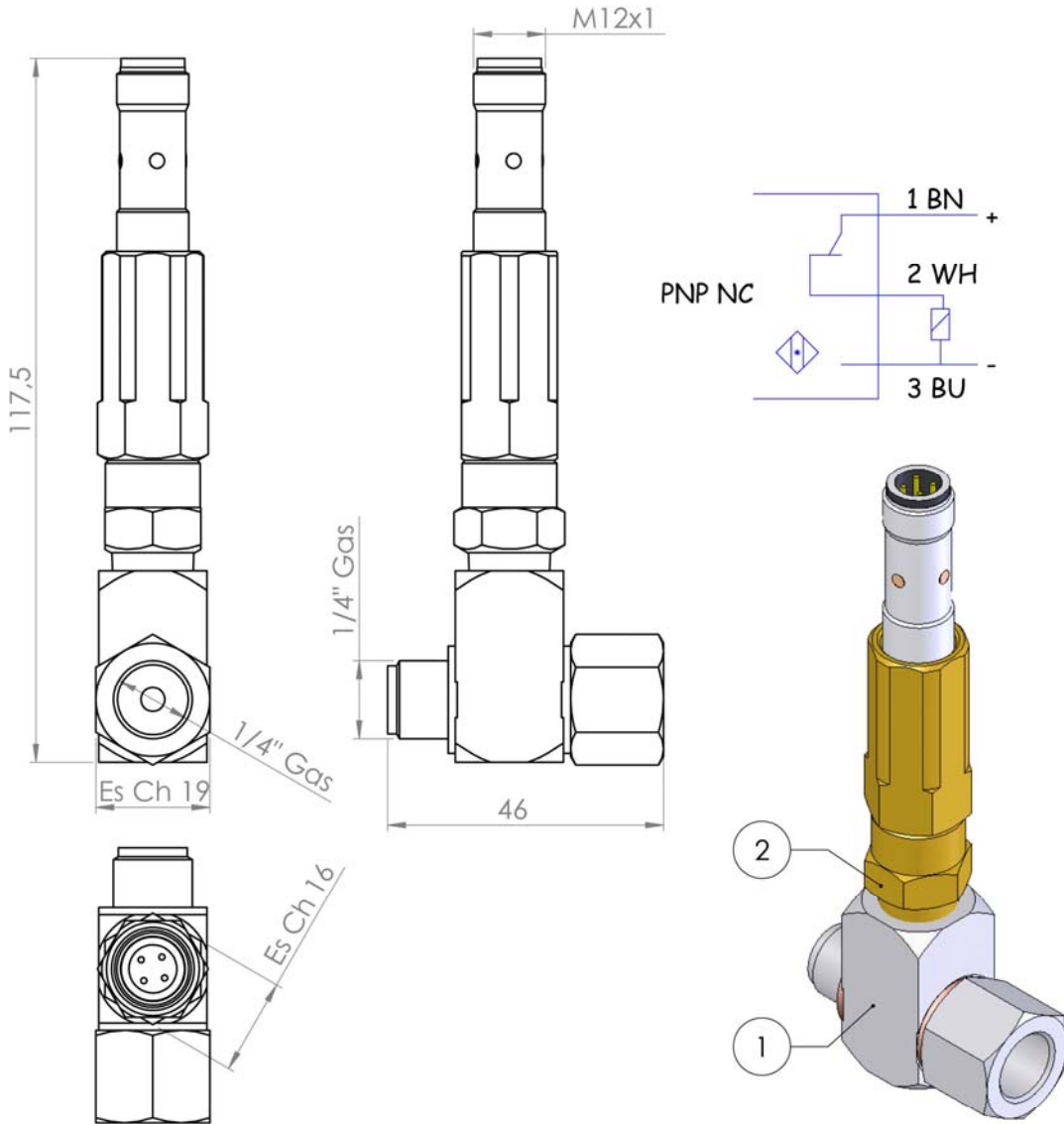
FEATURES

VOLTAGE	6-30 V DC
OUTLET CURRENT	MAX 200 Ma
CURRENT	< 12 Ma
TEMPERATURE RANGE	-25°C +70°C
PROTECTION	IP 67
CASING	STAINLESS STEEL
CABLE	3x0.14 mm ² PVC

ELECTRICAL WIRING

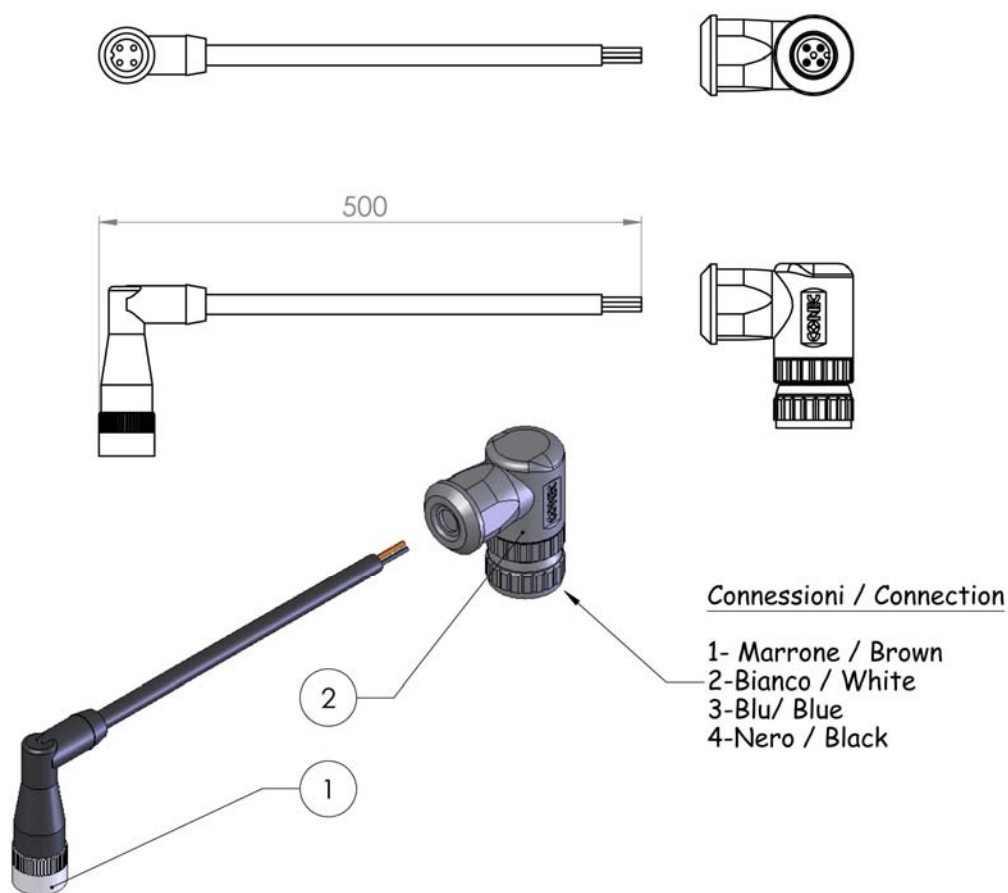


Pos.	Codice/Code	Descrizione / Description	Q.ty
1	A70093186	Snodo 1/4"Gas 2 vie senza valvola by-pass / Banjo connectors 1/4"Gas	1
2	09-712-7	Sensore di sovrappressione induttivo (250bar) / Inductive sensor switch (250 bar)	1



PROIEZIONE / PROJECTION 	TOLLERANZE GENERALI / GENERAL TOLERANCE				DATA / DATE 13-09-12	QUESTO DISEGNO E' DI PROPRIETA' ESCLUSIVA DELLA -ILC- IMPIANTI DI LUBRIFICAZIONE CENTRALIZZATA S.R.L. A TERMINI DI LEGGE ESSA VIETA DI RIPRODURLO O COMUNICARLO A TERZI CONCORRENTI O AD ALTRI SENZA LA SUA ESPLICITA AUTORIZZAZIONE
	≤ 100	$\geq 100 \leq 300$	$\geq 300 \leq 1000$	FORI H12	DISEGNATO / DRAWN BALLARATI	
MATERIALE / MATERIAL	TOLLERANZE PARTI FUSE / SMELTING TOLERANCE SPESSORI/THICKNESS $\pm 10\%$ SPESSORI/THICKNESS $\leq 10 \text{ mm} \pm 1 \text{ mm}$				CONTROLLATO / CHECK -	UFFICIO TECNICO GORLA MINORE
TRATTAMENTO / TREATMENT	SEGNI DI LAVORAZIONE / WORKING TOLERANCE LAVORAZIONI GENERALI / GENERAL WORKING ALTRE LAVORAZIONI / WORKING				SCALA/SCALE 1:1	
PESO / WEIGHT 180.40						
DENOMINAZIONE / DESCRIPTION Snodo 1/4"Gas 2 vie + Sensore sovrappress. induttivo 250 BAR Banjo connectors + inductive sensor switch 250 BAR					CODICE N° / CODE A70093543	

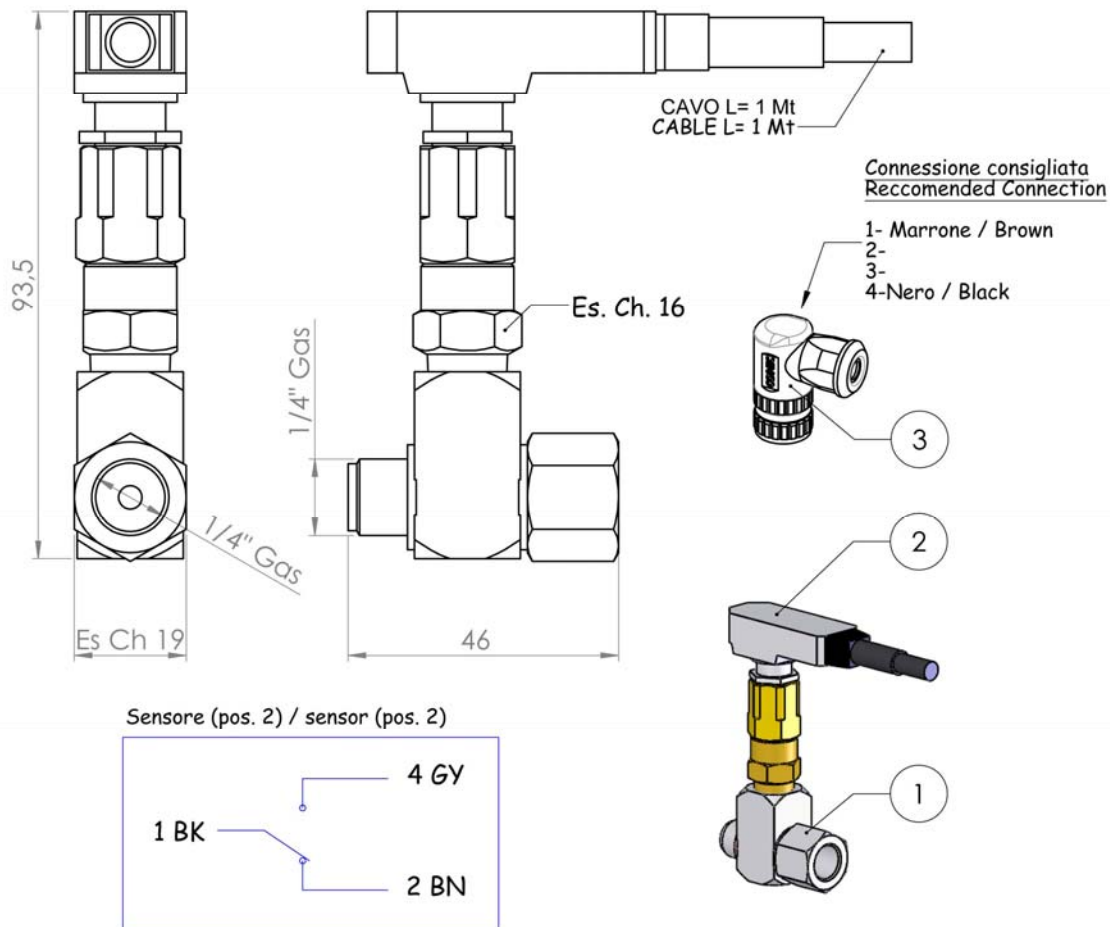
Pos	Codice /Code	Descrizione /Description	Qty
1	A91111353	Connettore M12x1 femmina 90° 4P PVC L=0.5 MT 90° female connection M12x1 4P PVC L=0.5 MT	1
2	A91111352	Connettore 90° M12x1 4P maschio XZCC12FCM40B 90° male connection M12x1 4P XZCC12FCM40B	1



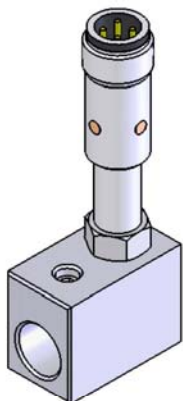
PROIEZIONE / PROJECTION 	TOLLERANZE GENERALI /GENERAL TOLERANCE <table border="1"> <tr> <td>≤ 100</td> <td>≥ 100 ≤ 300</td> <td>≥ 300 ≤ 1000</td> <td>FORI</td> </tr> <tr> <td>± 0.20</td> <td>± 0.30</td> <td>± 0.40</td> <td>H12</td> </tr> </table>	≤ 100	≥ 100 ≤ 300	≥ 300 ≤ 1000	FORI	± 0.20	± 0.30	± 0.40	H12	DATA / DATE 14-09-12	QUESTO DISEGNO E' DI PROPRIETA' ESCLUSIVA DELLA -ILC-
≤ 100	≥ 100 ≤ 300	≥ 300 ≤ 1000	FORI								
± 0.20	± 0.30	± 0.40	H12								
MATERIALE / MATERIAL	TOLLERANZE PARTI FUSE / SMLTING TOLERANCE SPESSORI/THICKNESS ± 10% SPESSORI/THICKNESS ≤ 10 mm ± 1 mm	DISEGNATO / DRAWN BALLARATI	IMPANTI DI LUBRIFICAZIONE CENTRALIZZATA S.R.L. A TERMINI DI LEGGE ESSA VIETA DI RIPRODURLO O COMUNICARLO A DITTE CONCORRENTI O AD ALTRI SENZA LA SUA ESPLICITA AUTORIZZAZIONE								
TRATTAMENTO /TREATMENT	SEGNII DI LAVDRAZIONE / WDRKING TOLERANCE LAVORAZIONI GENERALI GENERAL WORKING ALTRE LAVORAZIONI WORKING	CONTROLLATO / CHECK	UFFICIO TECNICO GORLA MINORE								
PESO / WEIGHT 21.37		SCALA/SCALE 1:1.5									
DENOMINAZIONE / DESCRIPTION Connessione 4P per sovrappressione M12x1 90° femmina- 90° maschio L=0.5 MT Connection over pressure 4p M12x1 90° male - 90° female L=0.5 MT		CODICE N°/ CODE 40-CPC-4-03	FOLIO/FOLIO								

Pos.	Codice / Code	Descrizione / Description	Q.ty
1	A70093186	Snodo 1/4"Gas 2 vie senza valvola by-pass Banjo connectors 1/4" Gas	1
2	09-713-7	Sensore di sovrappressione elettromeccanico (250bar) Electromechanical sensor switch (250 Bar)	1
3	A91111352*	Connettore 90°M12x1 4 poli maschio XZCC12FCM40B 90° male connection M12X1 4 poles XZCC12FCM40B	1

* non cablato / not wired

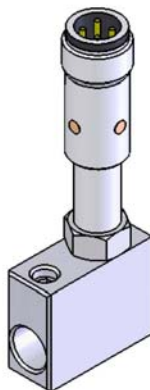


PROIEZIONE / PROJECTION	TOLLERANZE GENERALI / GENERAL TOLERANCE	DATA / DATE	QUESTO DISEGNO E' DI PROPRIETA' ESCLUSIVA DELLA -ILC-								
	<table border="1"> <tr> <td>≤ 100</td> <td>≥ 100 ≤ 300</td> <td>≥ 300 ≤ 1000</td> <td>FORI</td> </tr> <tr> <td>± 0.20</td> <td>± 0.30</td> <td>± 0.40</td> <td>H12</td> </tr> </table>	≤ 100	≥ 100 ≤ 300	≥ 300 ≤ 1000	FORI	± 0.20	± 0.30	± 0.40	H12	13-09-12	-ILC-
≤ 100	≥ 100 ≤ 300	≥ 300 ≤ 1000	FORI								
± 0.20	± 0.30	± 0.40	H12								
MATERIALE / MATERIAL	TOLLERANZE PARTI FUSE / SMELTING TOLERANCE	DISEGNATO / DRAWN	IMPIANTI DI LUBRIFICAZIONE CENTRALIZZATA S.R.L.								
	SPESSORI/THICKNESS ± 10% SPESSORI/THICKNESS ≤ 10 mm ± 1 mm	BALLARATI	A TERMINI DI LEGGE ESSA VIETA DI RIPRODURLO O COMUNICARLO A TERZI CONCORRENTI O AD ALTRI SENZA LA SUA ESPLICITA AUTORIZZAZIONE								
TRATTAMENTO / TREATMENT	SEGNII DI LAVORAZIONE / WORKING TOLERANCE	CONTROLLATO / CHECK									
	<table border="1"> <tr> <td>LAVORAZIONI GENERALI GENERAL WORKING</td> <td>ALTRE LAVORAZIONI WORKING</td> </tr> </table>	LAVORAZIONI GENERALI GENERAL WORKING	ALTRE LAVORAZIONI WORKING	-							
LAVORAZIONI GENERALI GENERAL WORKING	ALTRE LAVORAZIONI WORKING										
PESO / WEIGHT 180.42		SCALA/SCALE									
		1:1									
DENOMINAZIONE / DESCRIPTION		CODICE N° / CODE	UFFICIO TECNICO GORLA MINORE								
Snodo 1/4"Gas 2 vie + Sensore sovrappress. elettromeccanico 250 BAR Banjo connectors + electromechanical sensor switch 250 BAR		A70093544									



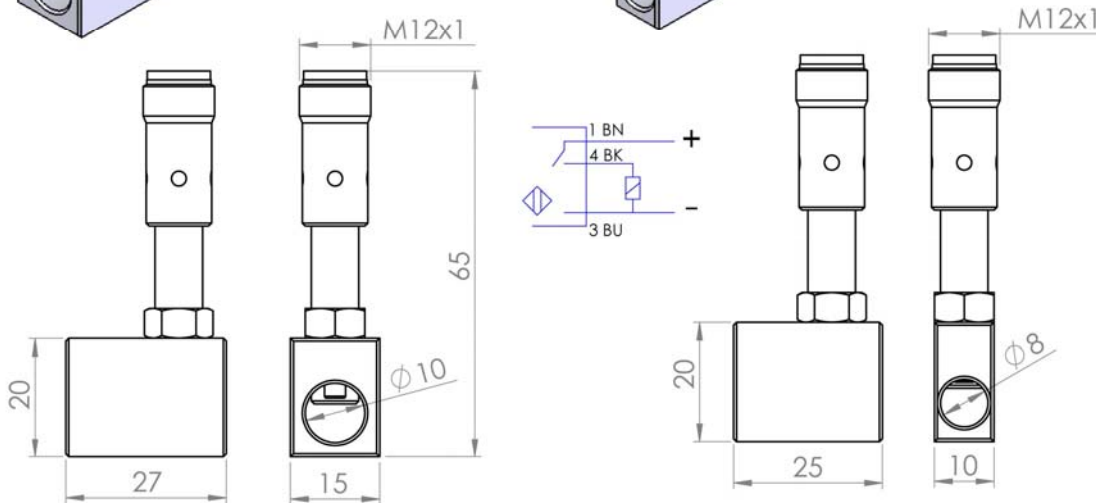
SENSORE INDUTTIVO
CONNETTORE M12x1
DPA-DPM PNP "NO"
COD.49.052.8

PROXIMITY SWITCH
M12X1 CONNECTOR
DPA-DPM PNP "NO"
CODE 49.052.8



SENSORE INDUTTIVO
CONNETTORE M12x1
DPX PNP "NO"
COD.49.052.9

PROXIMITY SWITCH
M12X1 CONNECTOR
DPX PNP "NO"
CODE 49.052.9



CAVO ELETTRICO DA ORDINARE SEPARATAMENTE

ELECTRICAL CABLE TO BE ORDER SEPARATELY



40.CDC.4.05 L= 5 MT
40.CDC.4.10 L= 10 MT
40.CDC.4.15 L= 15 MT



Connessioni / Connection

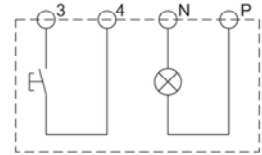
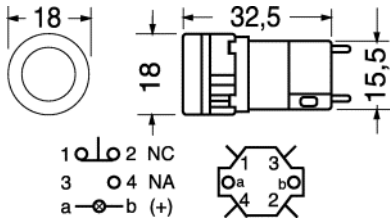
- 1- Marrone / Brown
- 2- Bianco / White
- 3- Blu / Blue
- 4- Nero / Black

PROIEZIONE / PROJECTION 	TOLLERANZE GENERALI / GENERAL TOLERANCE ≤ 100 ≥ 100 ≤ 300 ≥ 300 ≤ 1000 FORI ± 0.20 ± 0.30 ± 0.40 H12	DATA / DATE 04/10/12	QUESTO DISEGNO E' DI PROPRIETA' ESCLUSIVA DELLA - ILC - IMPIANTI DI LUBRIFICAZIONE CENTRALIZZATA S.R.L. A TERMINI DI LEGGE ESSA VIETA DI RIPRODURLO O COMUNICARLO A TERZE CONCORRENTI O AD ALTRI SENZA LA SUA ESPLICITA AUTORIZZAZIONE
MATERIALE / MATERIAL	TOLLERANZE PARTI FUSE / SMELTING TOLERANCE SPESSORI/THICKNESS ± 10% SPESSORI/THICKNESS ≤ 10 mm ± 1 mm	DISEGNATO / DRAWN BALLARATI	UFFICIO TECNICO GORLA MINORE
TRATTAMENTO / TREATMENT	SEGNII DI LAVORAZIONE / WORKING TOLERANCE LAVORAZIONI GENERALI GENERAL WORKING ALTRE LAVORAZIONI WORKING	CONTROLLATO / CHECK -	SCALA/SCALE 1:1
PESO / WEIGHT 21.86			
DENOMINAZIONE / DESCRIPTION Controllo di fine ciclo con sensore induttivo PNP NO connettore M12x1 Proximity switch PNP NO connector M12x1		CODICE N° / CODE ConnettoriM12x1	

PUSH BUTTONS

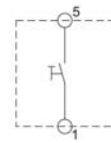
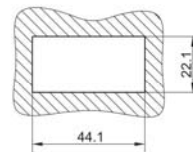
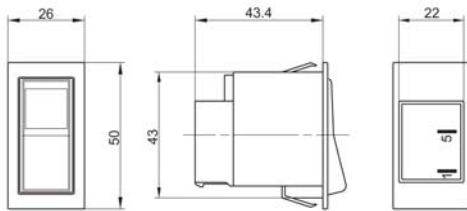
PUSH BUTTON LIGHT

Volt	Colour	Material	Code
12	Green	Plastic	40.PBG.12
24	Green	Plastic	40.PBG.24



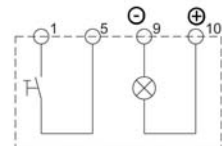
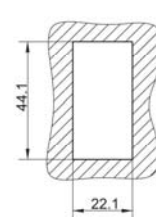
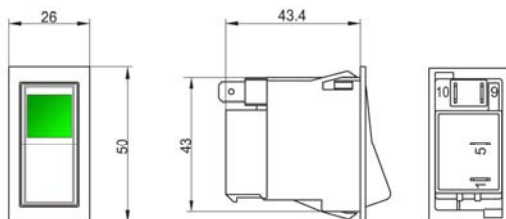
**RESET BUTTON
WITHOUT LAMP**

40.PSB.00



**RESET BUTTON
WITH LAMP**

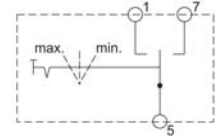
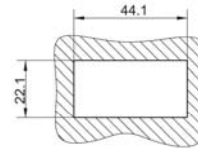
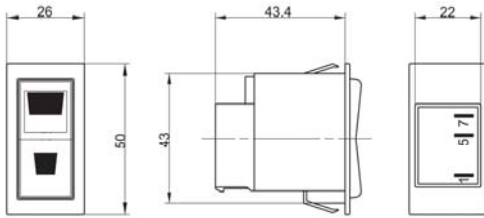
12	Green	Plastic	40.PSG.12
24	Green	Plastic	40.PSG.24
12	Red	Plastic	40.PSR.12
24	Red	Plastic	40.PSR.24



PUSH BUTTONS

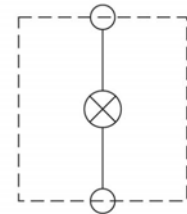
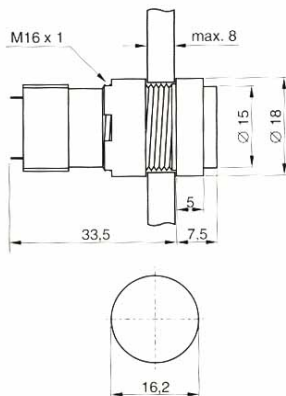
SELECTIVE LUBE BUTTON

40.COS.00



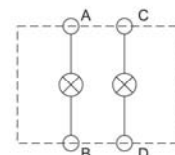
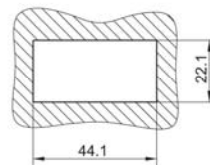
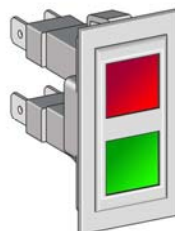
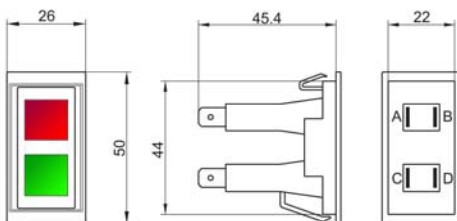
SIGNAL LAMP

Volt	Colour	Material	Code
12	Green	Plastic	40.SLG.12
24	Green	Plastic	40.SLG.24
12	Red	Plastic	40.SLR.12
24	Red	Plastic	40.SLR.24



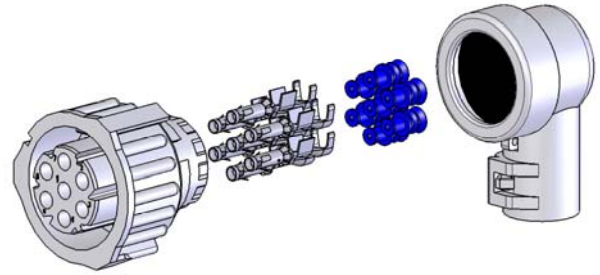
SIGNAL LAMP

Volt	Material	Code
12	Plastic	40.COL.12
24	Plastic	40.COL.24



WIRES

ILC-MAX pump is supplied complete of 7-poles electrical connector.



A91.111327

N.B. Included in the kit are 3 types of pads for different diameters and unused contacts.

*n. 7 code A91.111315
wires from 1.2 to 2.1 mm²*

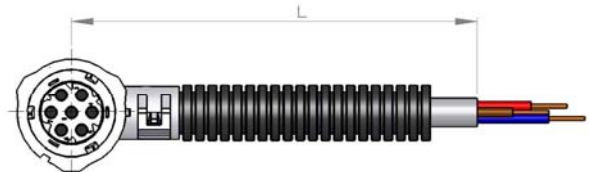
*n. 7 code A91.111314
wires from 2.2 to 3 mm²*

*n. 7 code A91.111310
to plug the hole if a contact is not used*



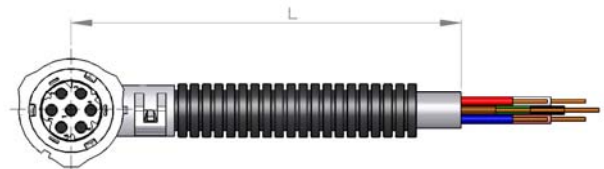
We can supply electrical connector complete of 3 wires (1 mm²) cable

code	L
40.CBL.3.05	5 M
40.CBL.3.10	10 M
40.CBL.3.15	15 M



As alternative, we can supply electrical connector complete of 7 wires (1 mm²) cable

code	L
40.CBL.7.05	5 M
40.CBL.7.10	10 M
40.CBL.7.15	15 M





WIRES

General conditions of connection

	Nominal voltage	Power absorption (load-dependent)	Power absorption (max.)	Pump starting current (max.)	Preconnected fuse (max.)
Vehicles application	24 V AC/DC	1,25 A ²⁾	< 2,5 A	4,5 A	3 A ^{3) 4)}
	12 V DC	2,4 A ²⁾	< 5 A	9 A	5 A ^{3) 4)}
Industrial application	24 V AC/DC ¹⁾	1,25 A ²⁾	< 2,5 A	4,5 A	4 A ⁴⁾
	12 V DC ¹⁾	2,4 A ²⁾	< 5 A	9 A	6 A ⁴⁾
	115 V AC	0,25 A ²⁾	< 0,5 A	1 A	1 A ⁴⁾
	230 V AC	0,125 A ²⁾	< 0,25 A	1 A	1 A ⁴⁾

¹⁾ Protective measures to applied for operation according to the intended purpose:

**Function-specific extra-low voltage with safe circuit-breaking
Protective Extra Low Voltage (PELV)**

Standards: EN60204 part I: 1992/IEC204-1:1992, amended by
DIN VDE 0100 part 410 / IEC 364-4-41:1992

²⁾ Typical value for ambient temperature 25 °C and operating pressure 150 bar

³⁾ Circuitbreaker acc. to DIN 72581 T.3

⁴⁾ Conductor: cross-section 1,5 mm², lenght ≤ 12 M

Type of IP enclosure

Pump IP5K6K

Connector bayonet – plug IP6K9K

M12x1 plug IP67